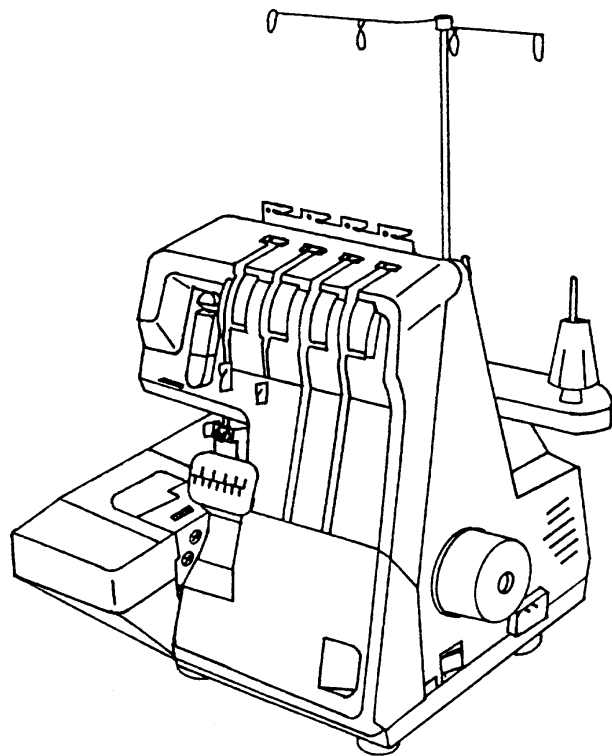
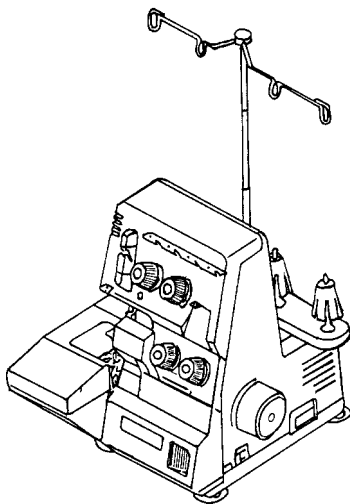
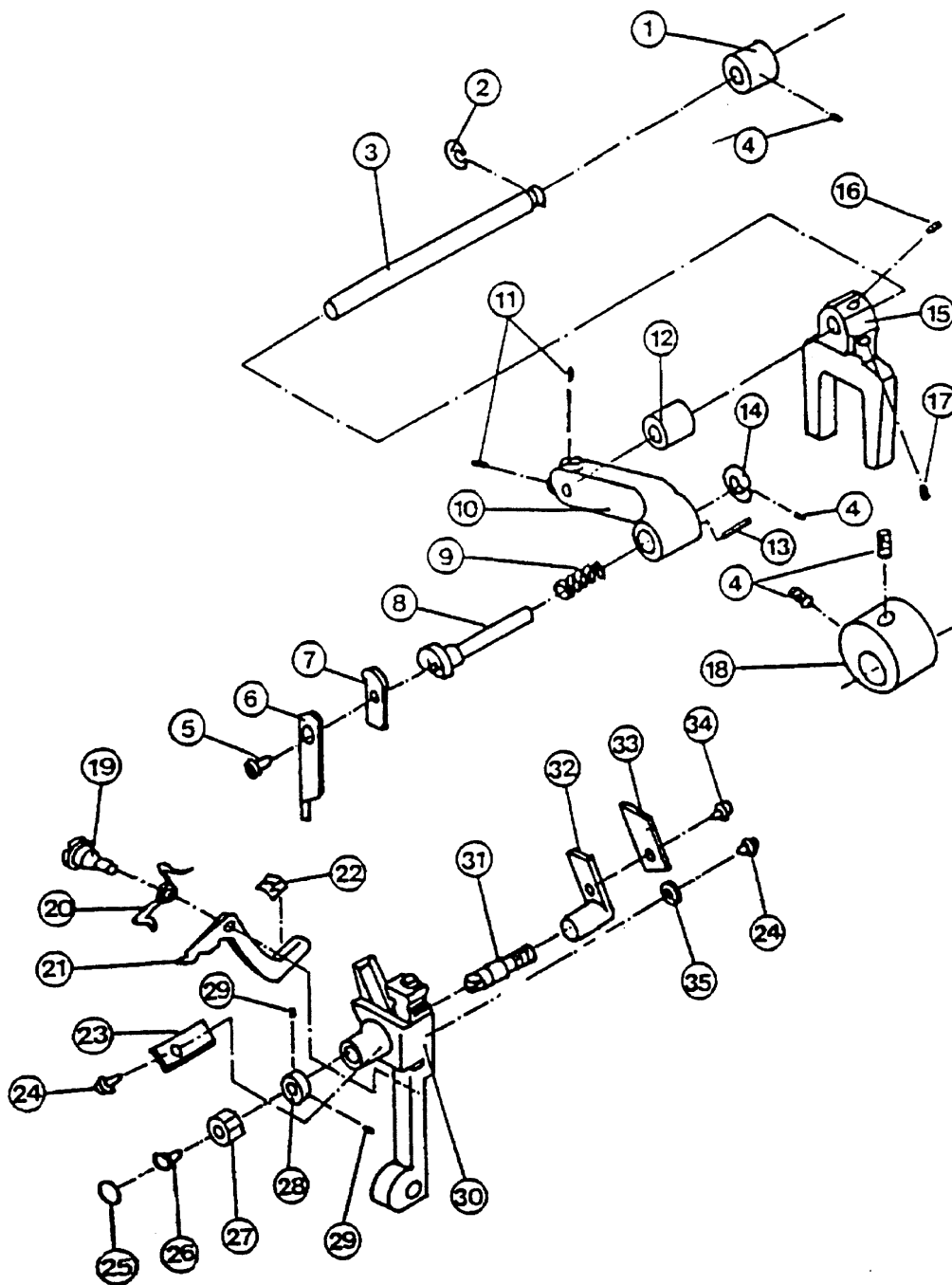


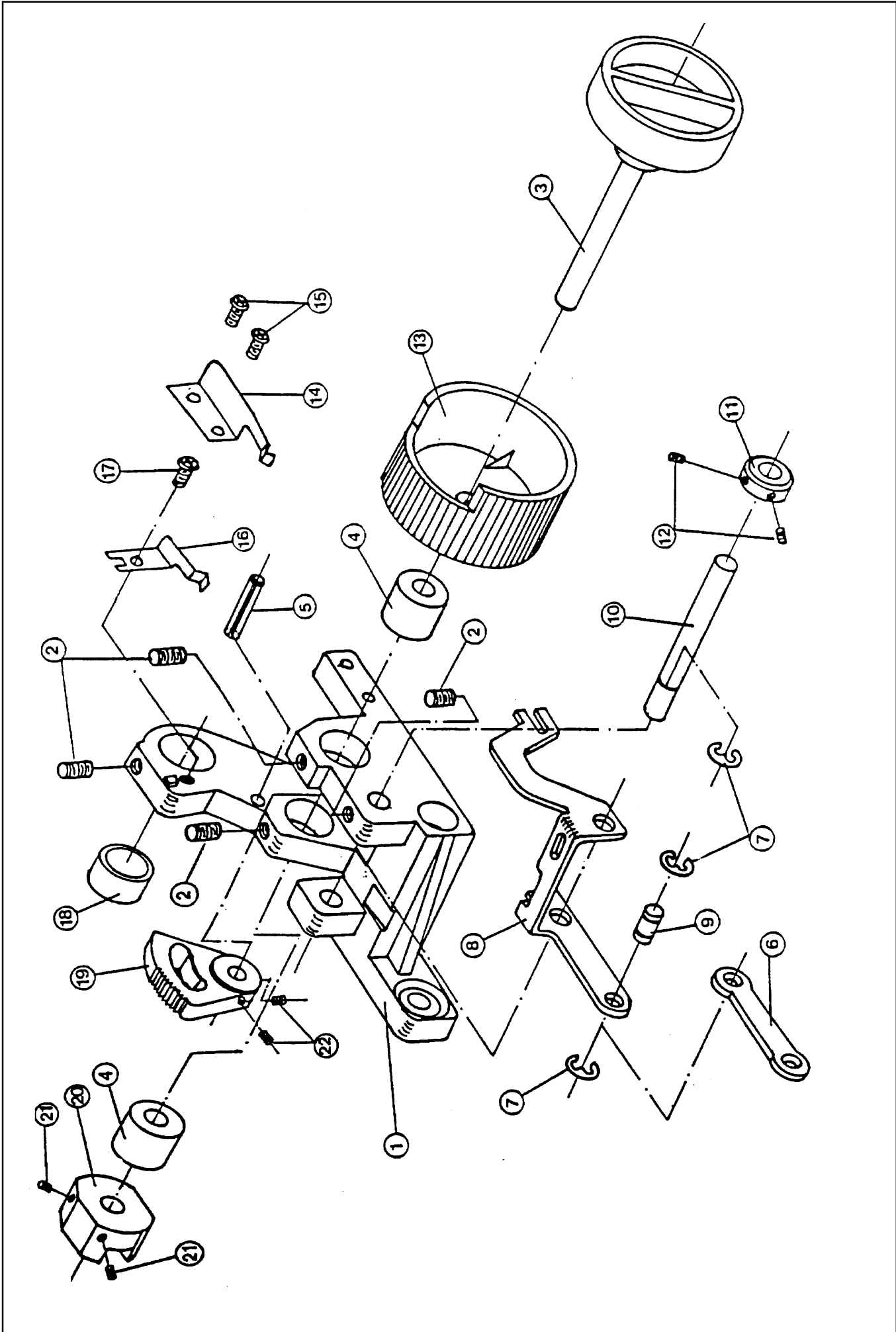
Spare parts
Ersatzteile
Pièces détachées
Reservdelar



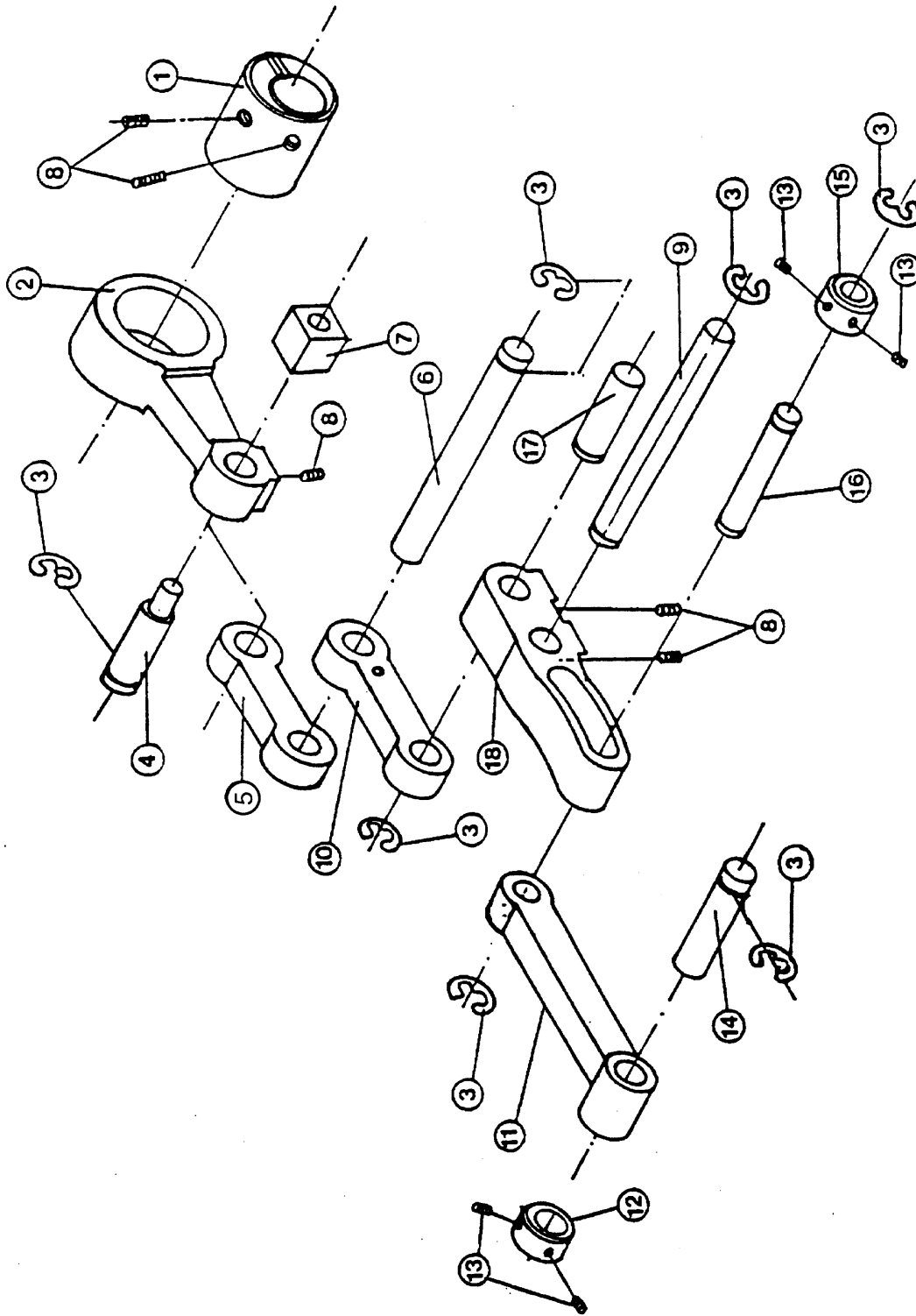
Huskylock 34 D
Huskylock 90



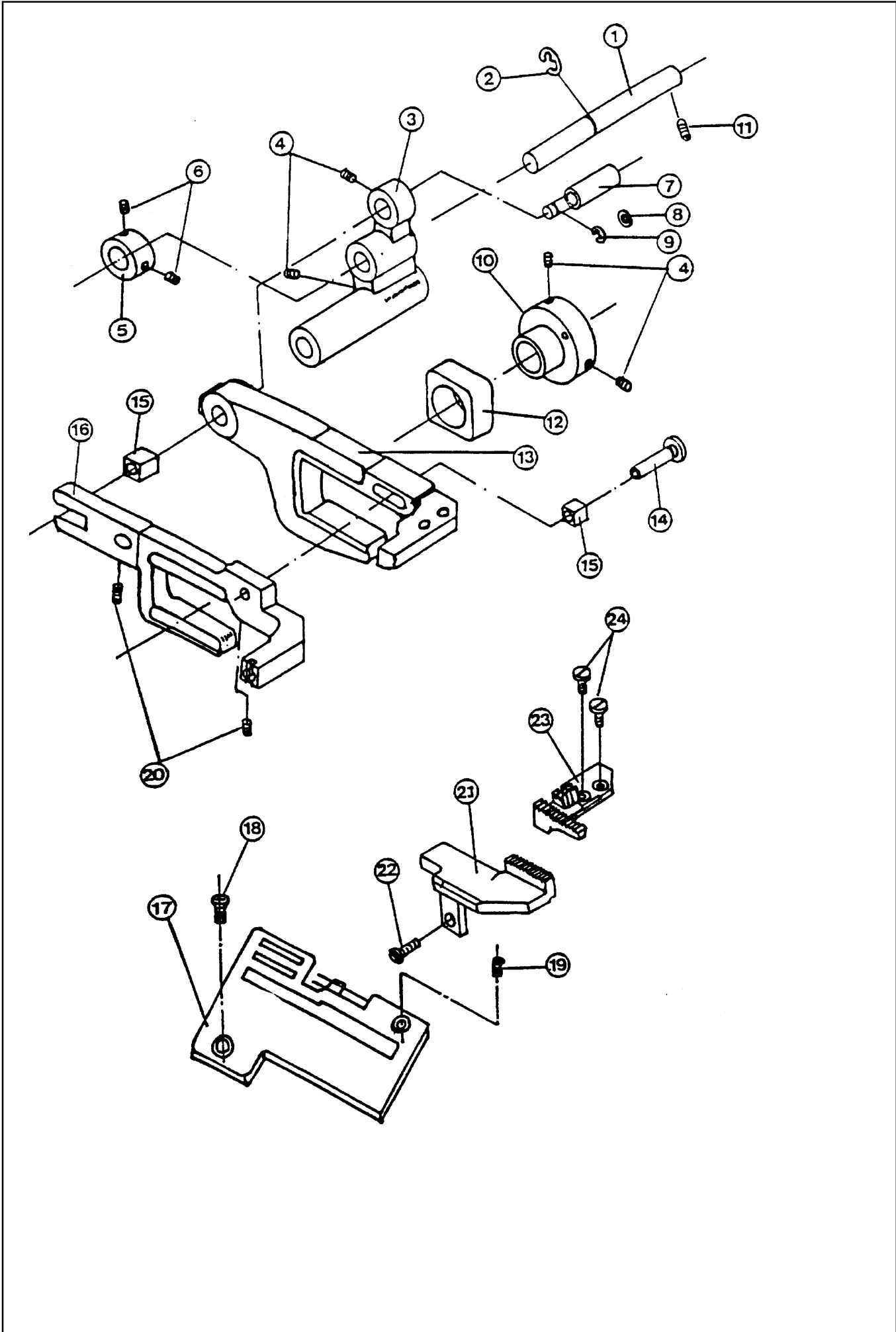
<u>POS</u>	<u>NUMBER</u>	<u>DENOMINATION</u>
1	415 65 90-01	Upper knife shaft bushing
2	415 62 26-01	Snap ring 6 d
3	415 65 89-01	Upper knife shaft
4	415 65 56-01	Screw
5	415 65 42-01	Screw
6	415 65 97-01	Upper knife
7	415 65 96-01	Upper knife plate
8	415 65 95-01	Upper knife base
9	415 67 95-01	Upper knife spring
10	415 65 93-01	Upper knife base body
11	415 65 57-01	Screw
12	415 65 91-01	Upper knife shaft bushing
13	415 65 94-01	Pin
14	415 65 98-01	Collar
15	415 65 92-01	Fork lod
16	415 65 45-01	Screw
17	415 62 19-01	Set screw 68
18	415 65 88-01	Upper knife cam
19	415 66 34-01	Screw
20	415 66 33-01	Spring
21	415 66 32-01	Free arm hook
22	415 66 35-01	Sticker
23	415 66 25-01	Stop plate
24	415 65 33-01	Screw
25	415 66 31-01	Panel
26	415 65 47-01	Screw
27	415 66 30-01	Dial
28	415 66 29-01	Collar
29	415 65 59-01	Screw
30	415 66 23-01	Lower knife base body
31	415 66 26-01	Lower knife shaft
32	415 66 27-01	Lower knife base
33	415 66 28-01	Lower knife
34	415 65 33-01	Screw
35	415 68 01-01	Washer



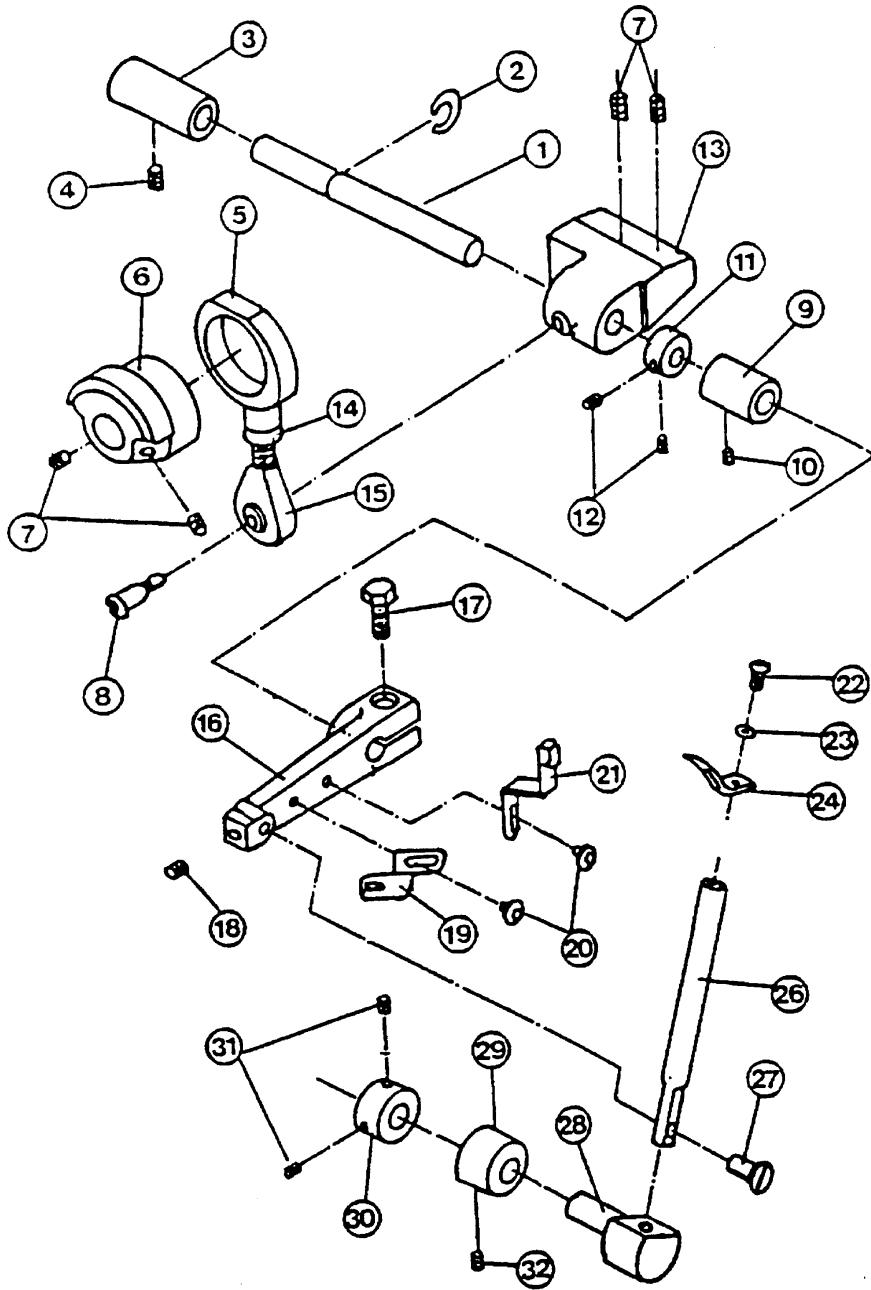
<u>POS</u>	<u>NUMBER</u>	<u>DENOMINATION</u>
1	415 67 07-01	Supporting arm
2	415 60 06-01	Set screw
3a	415 66 91-01	Stitch length dial - Model 34 D
3b	415 68 82-01	Stitch length dial - Model 90
4	415 67 08-01	Bushing
5	415 60 56-01	Spring pin 4x20
6	415 67 20-01	Connecting rod
7	415 60 89-01	Snap ring 4d
8	415 67 06-01	D.F Adjusting rod
9	415 67 19-01	Connecting pin
10	415 67 05-01	D.F Adjusting pin
11	415 66 29-01	Collar
12	415 65 59-01	Screw
13a	415 67 22-01	D.F Adjusting dial - Model 34 D
13b	415 68 83-01	D.F Adjusting dial - Model 90
14	415 67 21-01	Stop plate
15	415 65 72-01	Set screw
16	415 67 13-01	Stop spring plate
17	415 65 72-01	Set screw
18	415 65 76-01	Main shaft bushing
19	415 67 12-01	Stop cam
20	415 66 92-01	Slide rod base
21	415 65 44-01	Screw
22	415 65 59-01	Screw



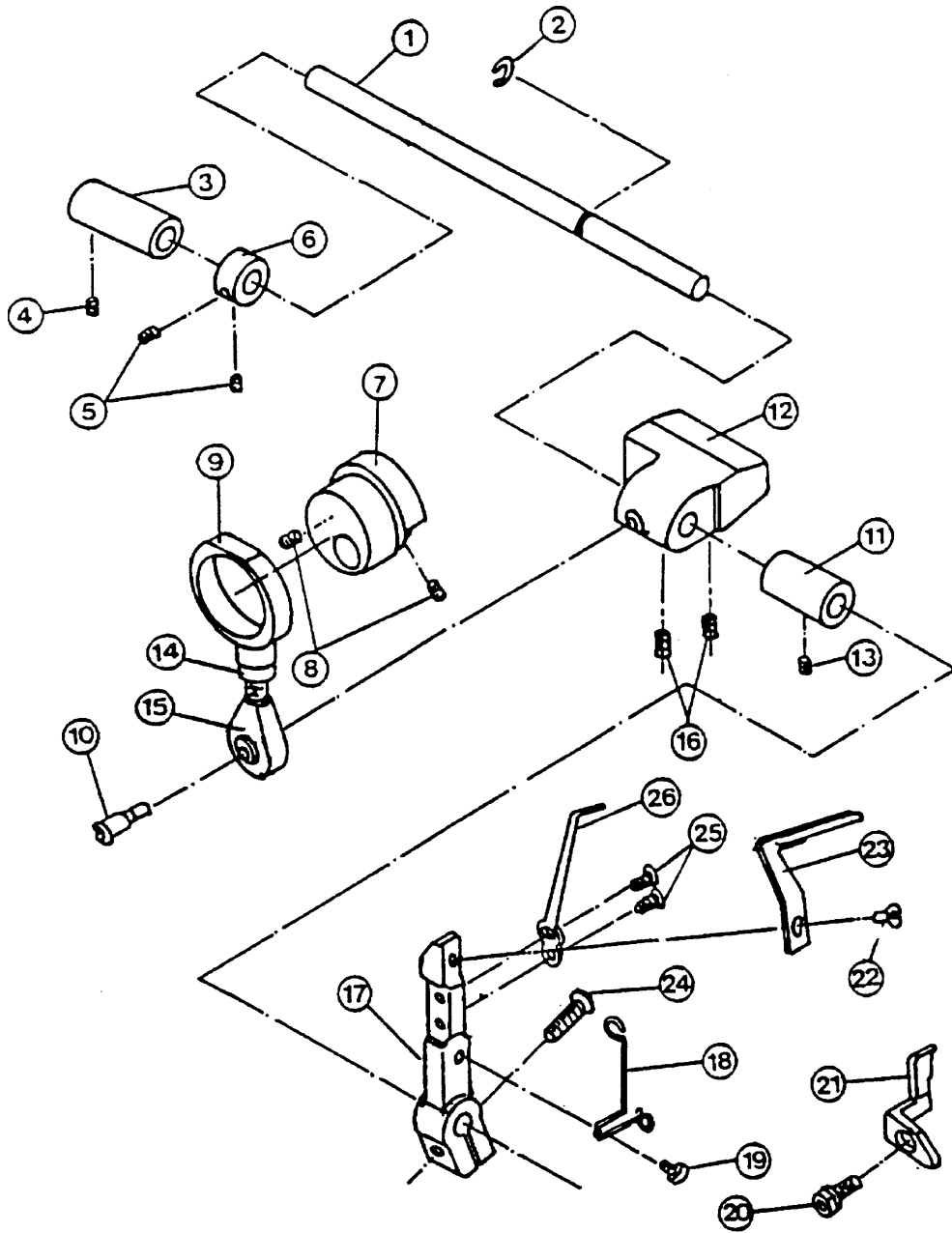
<u>POS</u>	<u>NUMBER</u>	<u>DENOMINATION</u>
1	415 66 89-01	Bevel cam
2	415 66 90-01	Stitch length rod
3	415 60 89-01	Snap ring 4d
4	415 67 09-01	Slide rod shaft
5	415 67 15-01	Connecting rod
6	415 66 95-01	Shaft
7	415 66 16-01	Slide rod
8	415 60 06-01	Set screw
9	415 66 98-01	Shaft
10	415 66 99-01	Connecting rod
11	415 67 04-01	D.F Connecting rod
12	415 66 29-01	Collar
13	415 65 59-01	Screw
14	415 67 02-01	Pin
15	415 67 03-01	Collar
16	415 67 01-01	Pin
17	415 67 16-01	Pin B
18	415 67 00-01	D. F Feed shaft



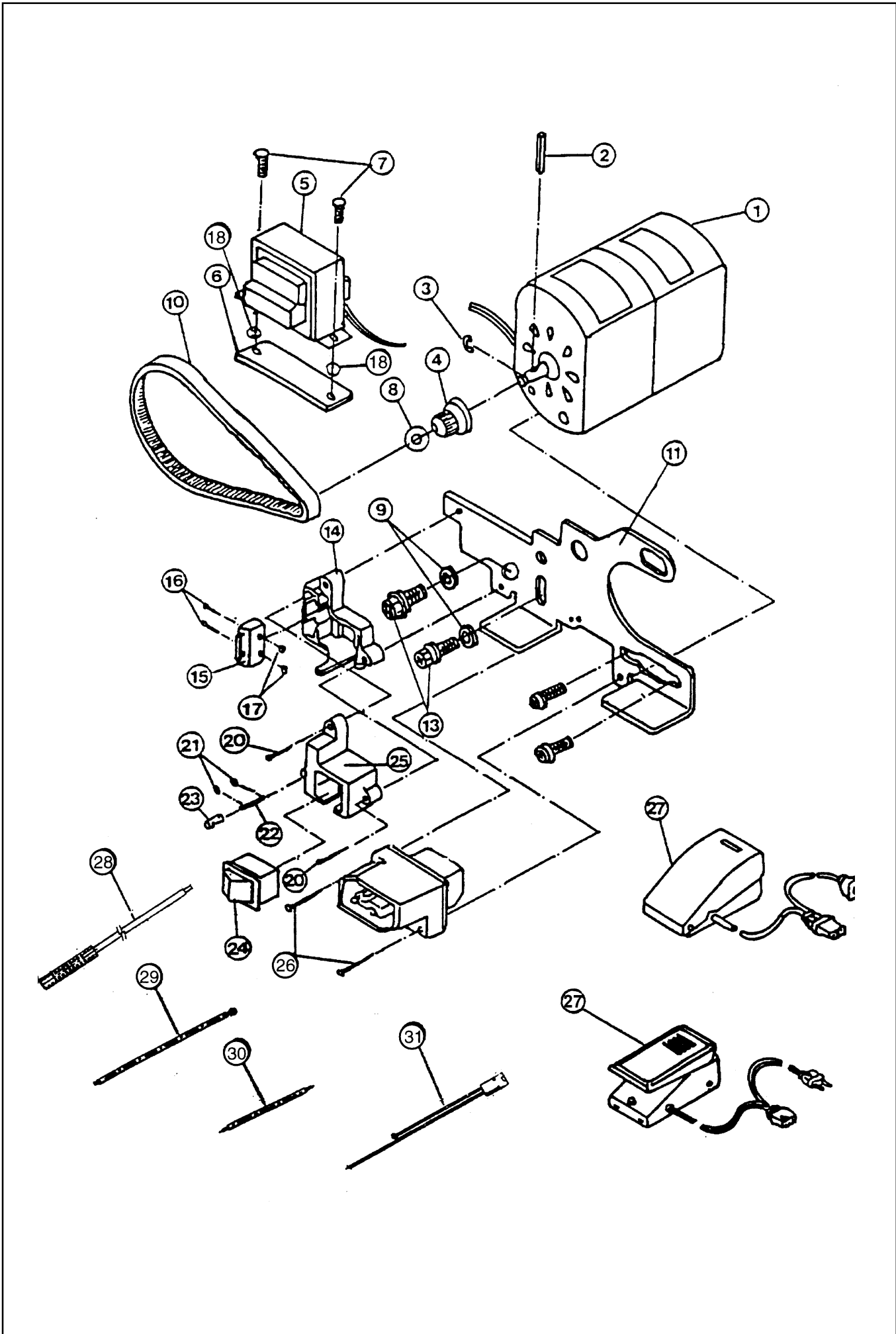
<u>POS</u>	<u>NUMBER</u>	<u>DENOMINATION</u>
1	415 66 96-01	Supporting shaft
2	415 60 81-01	Snap ring 5d
3	415 66 93-01	Stitch length rod
4	415 60 06-01	Set screw
5	415 65 99-01	Collar
6	415 60 06-01	Set screw
7	415 66 94-01	(UP) Shaft
8	415 65 25-01	Washer
9	415 60 23-01	Snap ring 3d
10	415 66 12-01	UP-Down cam
11	415 65 56-01	Screw
12	415 66 13-01	UP-Down slide rod
13	415 66 88-01	Main feed base
14	415 67 18-01	Limited pin
15	415 67 14-01	Slide rod
16	415 66 87-01	Sub feed base
17	415 67 97-01	Needle plate
18	415 68 02-01	Set screw
19	415 65 33-01	Screw
20	415 65 44-01	Screw
21	415 66 15-01	Feed dog (F)
22	415 65 49-01	Screw
23	415 66 14-01	Feed dog (R)
24	415 65 40-01	Screw



<u>POS</u>	<u>NUMBER</u>	<u>DENOMINATION</u>
1	415 65 78-01	Upper looper shaft
2	415 60 81-01	Snap ring 5d
3	415 68 05-01	Looper shaft bushing
4	415 65 56-01	Screw
5	415 66 02-01	Connecting rod base
6	415 66 01-01	Upper looper cam
7	415 60 04-01	Set screw
8	415 66 03-01	Screw
9	415 65 80-01	Looper shaft bushing
10	415 65 56-01	Screw
11	415 65 99-01	Collar
12	415 60 06-01	Set screw
13	415 66 00-01	Looper crank
14	415 68 03-01	Nut
15	415 67 58-01	Ball base connecting rod
16	415 66 04-01	UP Looper rod
17	415 65 51-01	Screw
18	415 60 06-01	Set screw
19	415 66 05-01	Lower looper thread take-up
20	415 65 34-01	Screw
21	415 66 06-01	UP Looper thread take-up
22	415 65 29-01	Screw
23	415 65 53-01	Spring washer
24	415 66 08-01	UP Looper
26	415 66 07-01	Slide shaft
27	415 66 11-01	Pin
28	415 66 09-01	Slide base
29	415 66 10-01	Slide base shaft bushing
30	415 65 99-01	Collar
31	415 60 06-01	Set screw
32	415 60 06-01	Set screw

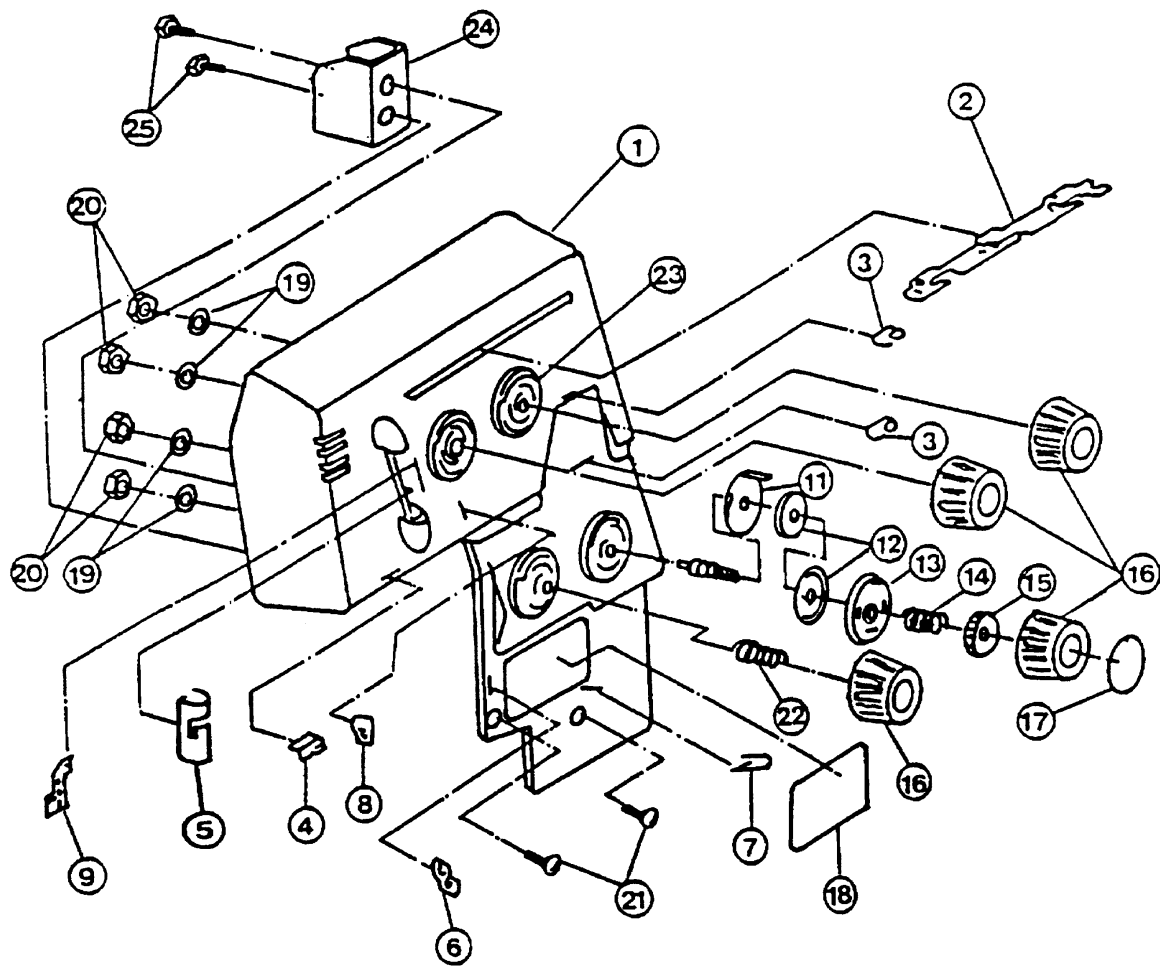


<u>POS</u>	<u>NUMBER</u>	<u>DENOMINATION</u>
1	415 65 79-01	Lower looper shaft
2	415 60 81-01	Snap ring 5d
3	415 68 05-01	Looper shaft bushing
4	415 65 56-01	Screw
5	415 60 06-01	Set screw
6	415 65 99-01	Collar
7	415 67 10-01	Lower looper cam
8	415 60 04-01	Set screw
9	415 66 02-01	Connecting rod base
10	415 66 03-01	Screw
11	415 65 80-01	Looper shaft bushing
12	415 66 00-01	Looper crank
13	415 65 56-01	Screw
14	415 68 03-01	Nut
15	415 67 58-01	Ball base connecting rod
16	415 60 04-01	Set screw
17	415 66 17-01	Lower looper base
18	415 66 20-01	Lower looper thread guide
19	415 65 41-01	Screw
20	415 65 28-01	Screw
21	415 66 24-01	Needle base
22	415 65 41-01	Screw
23	415 66 18-01	Lower looper
24	415 65 32-01	Screw
25	415 65 41-01	Screw
26	415 66 19-01	Needle base



<u>POS</u>	<u>NUMBER</u>	<u>DENOMINATION</u>
1a	415 68 08-01	Motor 240 V UK
1b	415 69 03-01	Motor 230 V
1c	415 68 13-01	Motor comp 110 V
2	415 61 70-01	Spring pin 2x14
3	415 65 16-01	E ring
4	415 66 53-01	Motor pulley
5a	415 68 09-01	Transformer 240 V UK
5b	415 67 94-01	Transformer 230 V
5c	415 68 16-01	Transformer 110 V
6	415 66 52-01	Insulated gasket
7	415 65 35-01	Screw
8	415 65 19-01	Spring washer
9	415 67 99-01	Spring washer
10	415 66 59-01	Belt
11a	415 66 54-01	Motor bracket 230 V
11b	415 68 10-01	Motor bracket 110 V
13	415 65 52-01	Screw
14	415 66 58-01	Switch base
15	415 67 87-01	Safty switch
16	415 65 46-01	Screw
17	415 65 17-01	Nut
18	415 65 73-01	Washer
20	415 65 48-01	Screw
21	415 65 14-01	E ring
22	415 66 56-01	Switch Pressure rod
23	415 66 57-01	Spring
24	415 67 86-01	Switch
25	415 66 55-01	Switch support cover
26	415 68 06-01	Screw
27a	415 68 07-01	Controller 240 V UK
27b	415 67 88-01	Controller 230 V
27c	415 68 12-01	Controller comp 110 V
28a	415 67 93-01	Motor connection cord 230 V
28b	415 68 11-01	Connection cord 110 V
29a	415 67 90-01	Switch connection cord 230 V
29b	415 68 14-01	Switch connection cord 110 V
30a	415 67 89-01	Switch connection cord 230 V
30b	415 68 15-01	Connection cord 110 V
31	415 67 91-01	Transfer connection cord 230 V
	412 54 78-01	Adapter

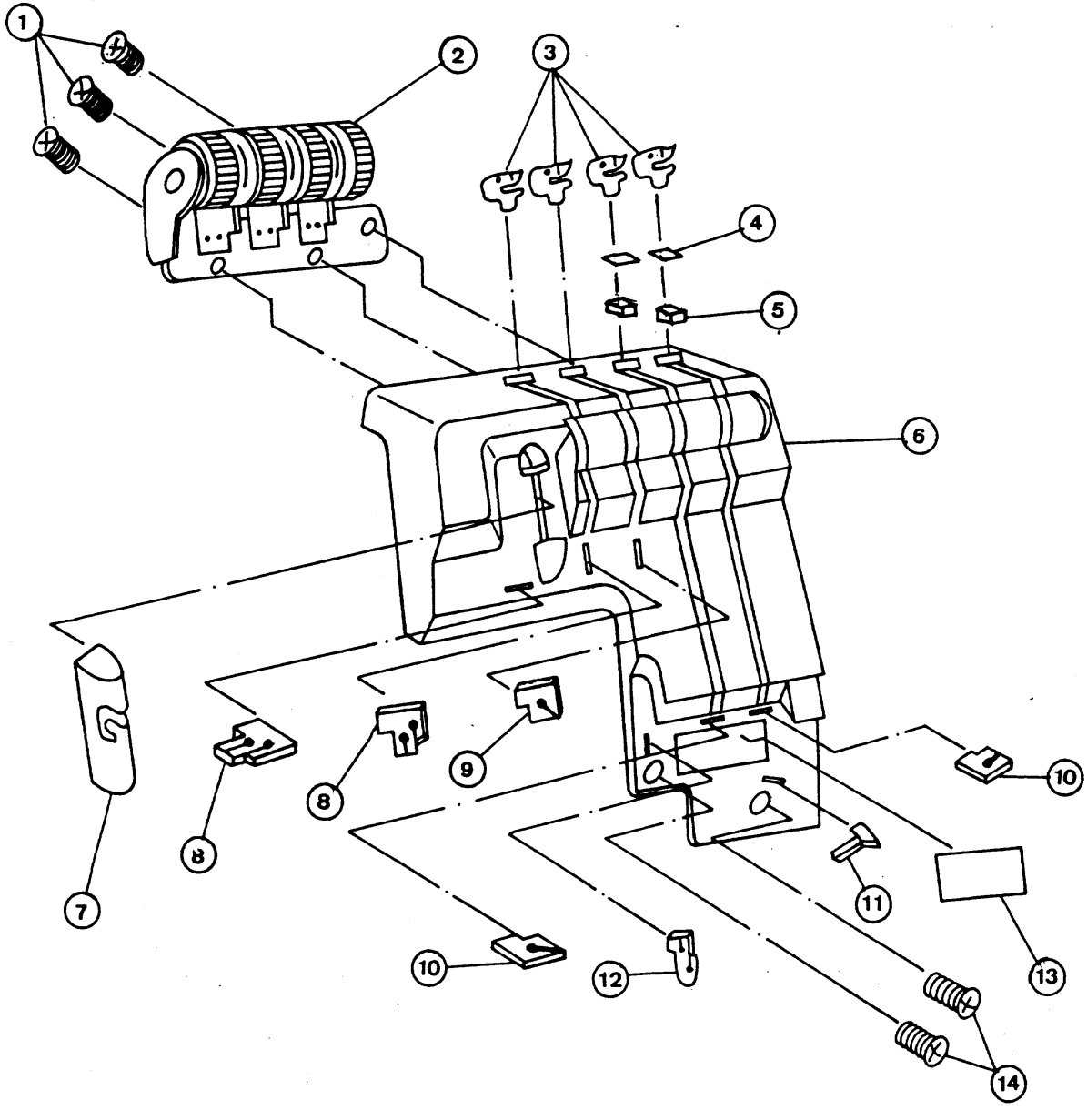
Model 34 D



Model 34 D

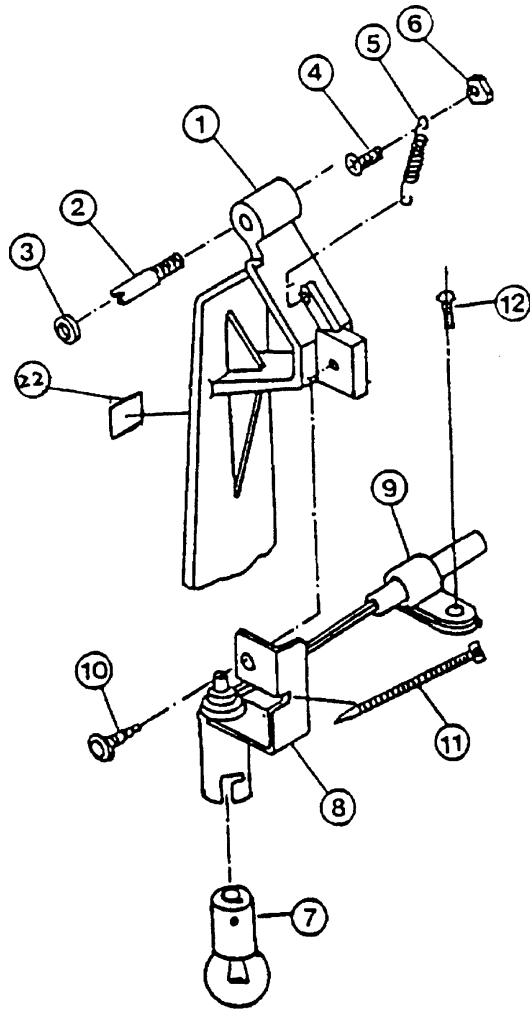
<u>POS</u>	<u>NUMBER</u>	<u>DENOMINATION</u>
1	415 66 74-01	Front cover
2	415 66 76-01	Panel thread guide
3	415 67 26-01	Thread guide A
4	415 67 28-01	Thread guide B
5	415 66 77-01	Thread take-up lever cover
6	415 67 30-01	Thread guide D
7	415 67 29-01	Thread guide C
8	415 67 27-01	Thread guide A2
9	415 67 31-01	Needle guide bracket B
10	415 66 79-01	Tension shaft
11	415 66 80-01	Stop plate
12	415 66 81-01	Pressure plate
13	415 66 82-01	Pressure plate cover
14	415 66 83-01	Spring
15	415 66 85-01	Nut
16	415 66 86-01	Tension dial
17a	415 67 33-01	Tension panel-D. red
17b	415 67 34-01	Tension panel-D. blue
17c	415 67 32-01	Tension panel-D. yellow
17d	415 67 35-01	Tension panel-D. green
18	415 66 78-01	Thread sticker
19	415 65 26-01	Washer
20	415 62 74-01	Nut
21	415 65 36-01	Screw
22	415 66 84-01	Spring
23	415 67 39-01	Tension base
24	415 66 75-01	Lamp cover
25	415 65 20-01	Set screw

Model 90

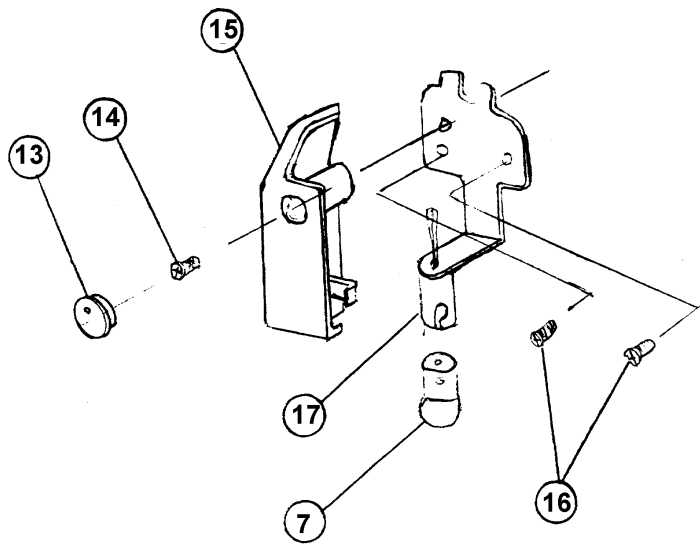


<u>POS</u>	<u>NUMBER</u>	<u>DENOMINATION</u>
1	415 60 35-01	Set screw
2	415 68 84-01	Up-tension complete
3	415 68 85-01	Thread guide
4	415 68 86-01	Presser plate
5	415 68 87-01	Foam
6	415 68 88-01	Front cover
7	415 66 77-01	Thread take-up lever cover
8	415 66 89-01	Thread guide v.base
9	415 67 27-01	Thread guide A2
10	415 67 26-01	Thread guide A
11	415 67 29-01	Thread guide C
12	415 67 30-01	Thread guide D
13	415 68 90-01	Sticker
14	415 64 45-01	Set screw

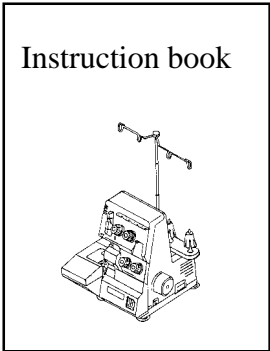
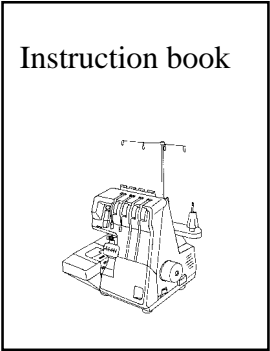
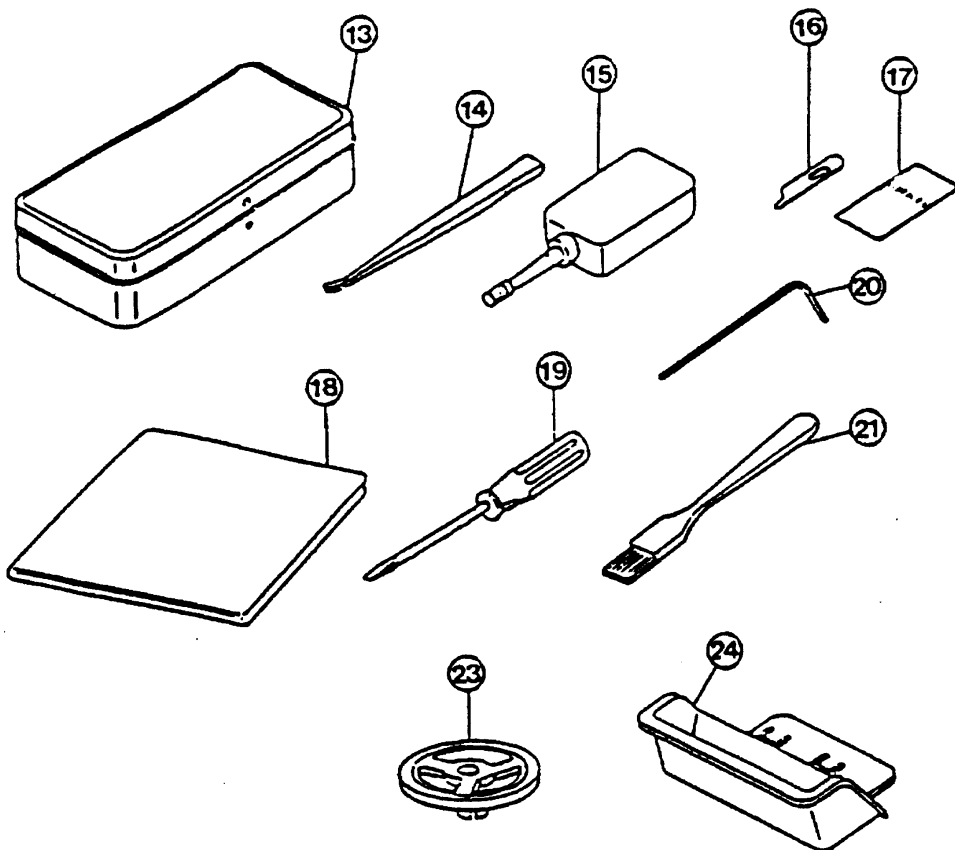
Model 34 D



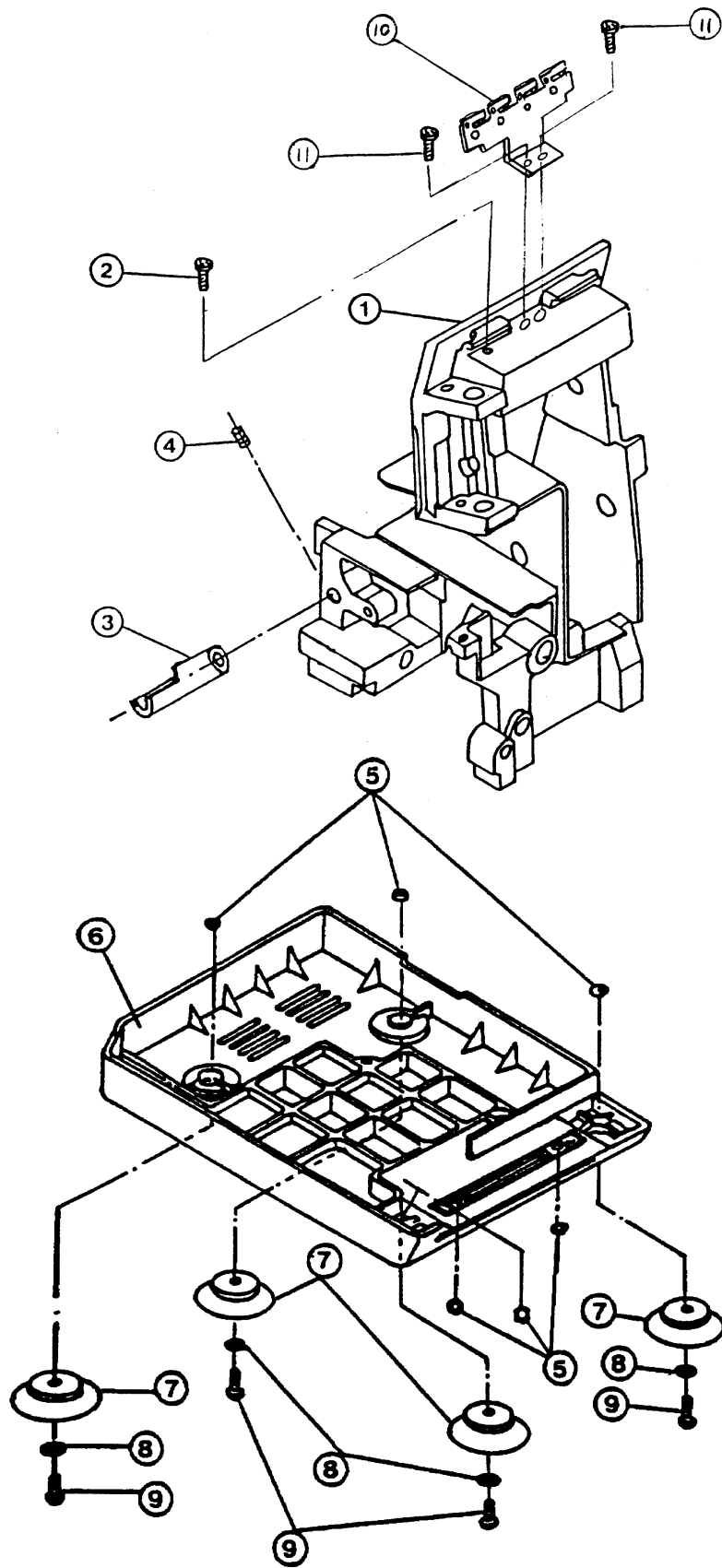
Model 90



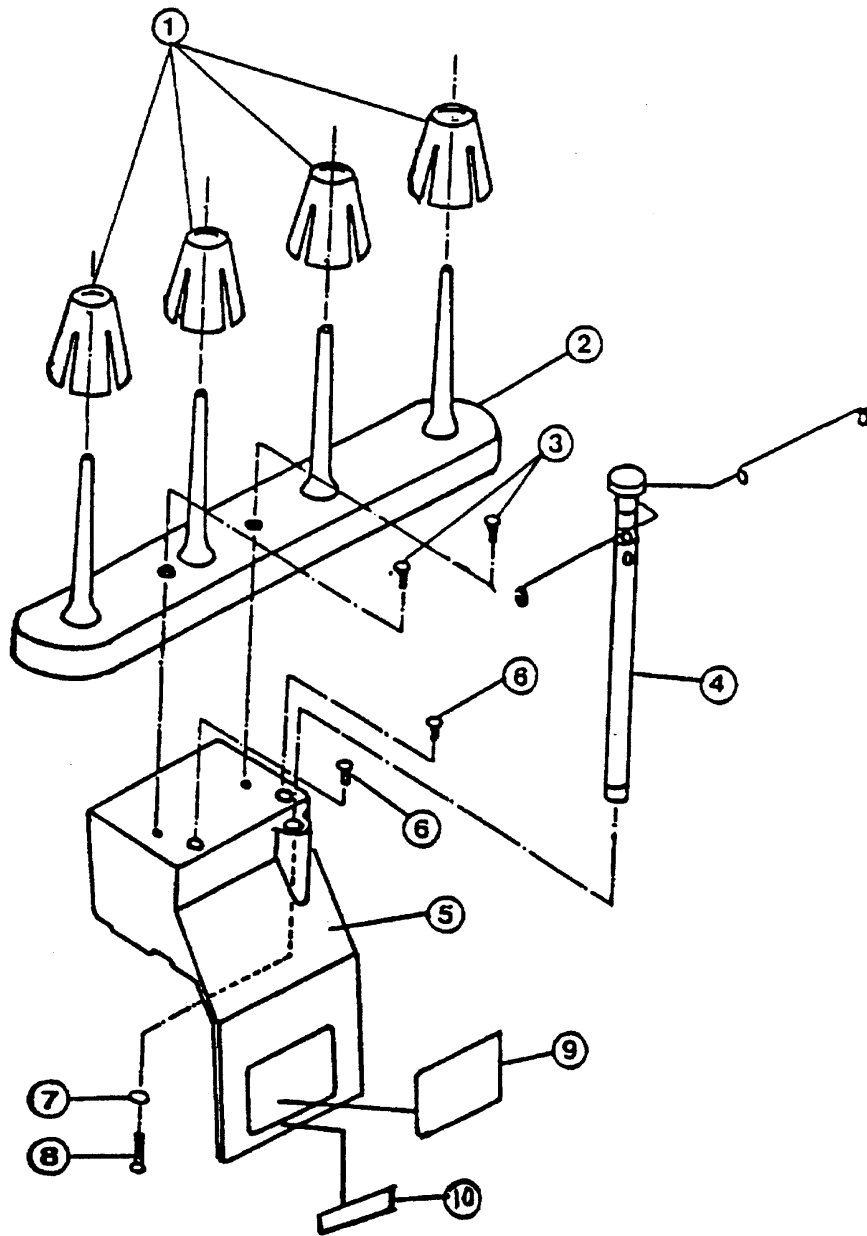
<u>POS</u>	<u>NUMBER</u>	<u>DENOMINATION</u>	<u>MODEL</u>
1	415 66 50-01	Lamp cover	34 D
2	415 66 49-01	Light cord shaft	34 D
3	415 65 24-01	Snap ring 4d	34 D
4	415 65 61-01	Set screw	34 D
5	415 66 51-01	Spring	34 D
6	415 65 18-01	Nut	34 D
7	415 67 84-01	Bulb	34 D / 90
8	415 67 83-01	Light cord set	34 D
9	415 65 63-01	Light cord setter	34 D
10	415 65 22-01	Screw	34 D
11	415 65 70-01	Band	34 D
12	415 65 35-01	Screw	34 D
13	415 68 29-01	Adjusting hole plug	90
14	415 63 34-01	Screw	90
15	415 68 91-01	Light cover	90
16	415 65 33-01	Screw	90
17	415 68 92-01	Cable	90



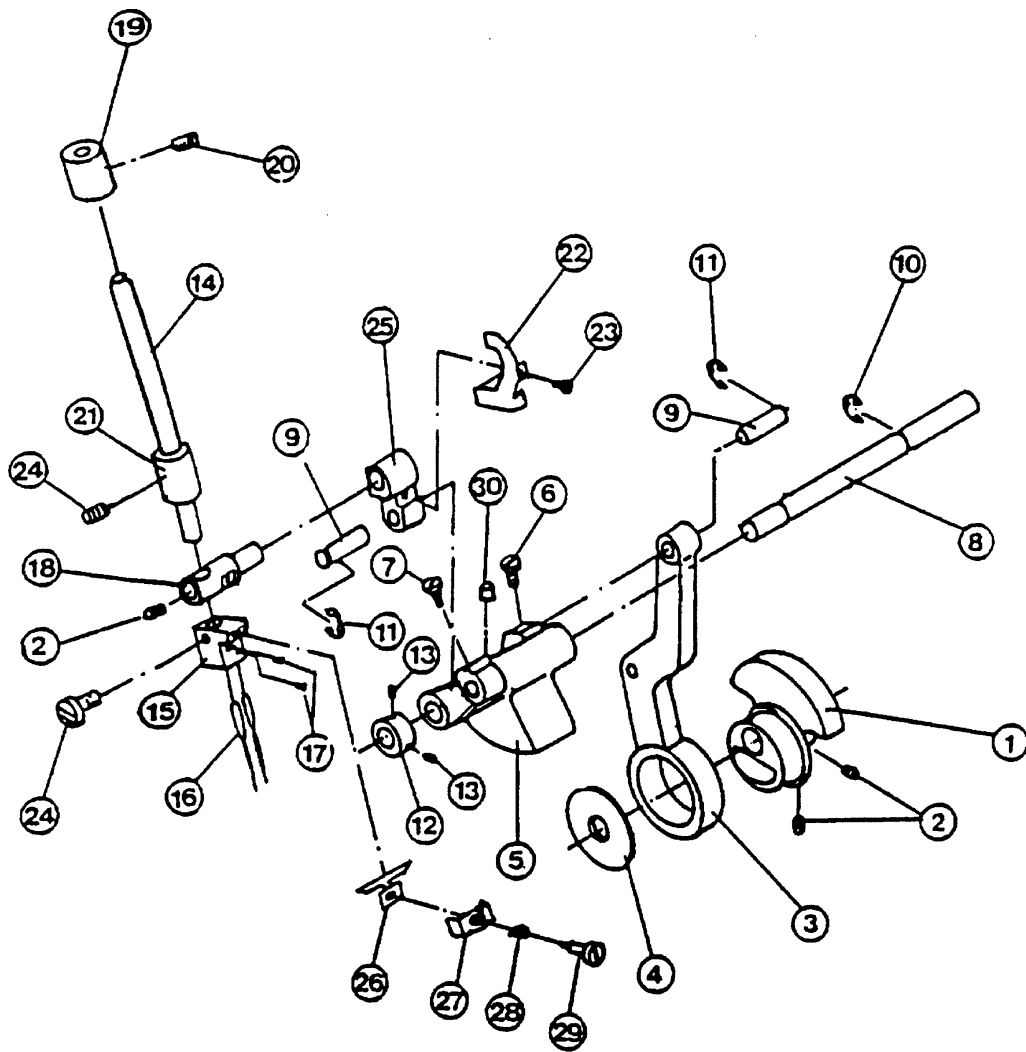
<u>POS</u>	<u>NUMBER</u>	<u>DENOMINATION</u>
13	415 67 57-01	Accessories case
14	415 67 50-01	Tweezers
15	415 65 65-01	Oil kettle
16	415 65 97-01	Upper knife
17	415 65 67-01	Needle box
18	415 67 52-01	Machine cover
19	415 67 53-01	Screwdriver
20	415 67 51-01	Hexagon wrench key
21	415 65 66-01	Brush
22	415 67 46-01	Lamp sticker
23a	415 67 54-01	Spoolcaps - Model 34 D
23b	415 68 93-01	Spoolcaps - Model 90
24a	415 67 49-01	Waste chip box - Model 34 D
24b	415 68 94-01	Waste chip box - Model 90
	415 68 41-01	Elastic foot
	415 68 42-01	Blind hem foot
	412 47 24-05	Instruction book 34 D Swe /Fin
	412 47 24-15	Instruction book 34 D Dan / Nor
	412 47 24-25	Instruction book 34 DFra / Dutch
	412 47 24-35	Instruction book 34 DGer / Ita
	412 47 24-45	Instruction book 34 DEng / Span
	412 55 54-05	Instruction book 90 Swe/Fin
	412 55 54-15	Instruction book 90 Dan / Nor
	412 55 54-25	Instruction book 90 Fra / Dutch
	412 55 54-35	Instruction book 90 Ger / Ita
	412 55 54-45	Instruction book 90 Eng / Span
	412 55 54-56	Instruction book 90 Russian



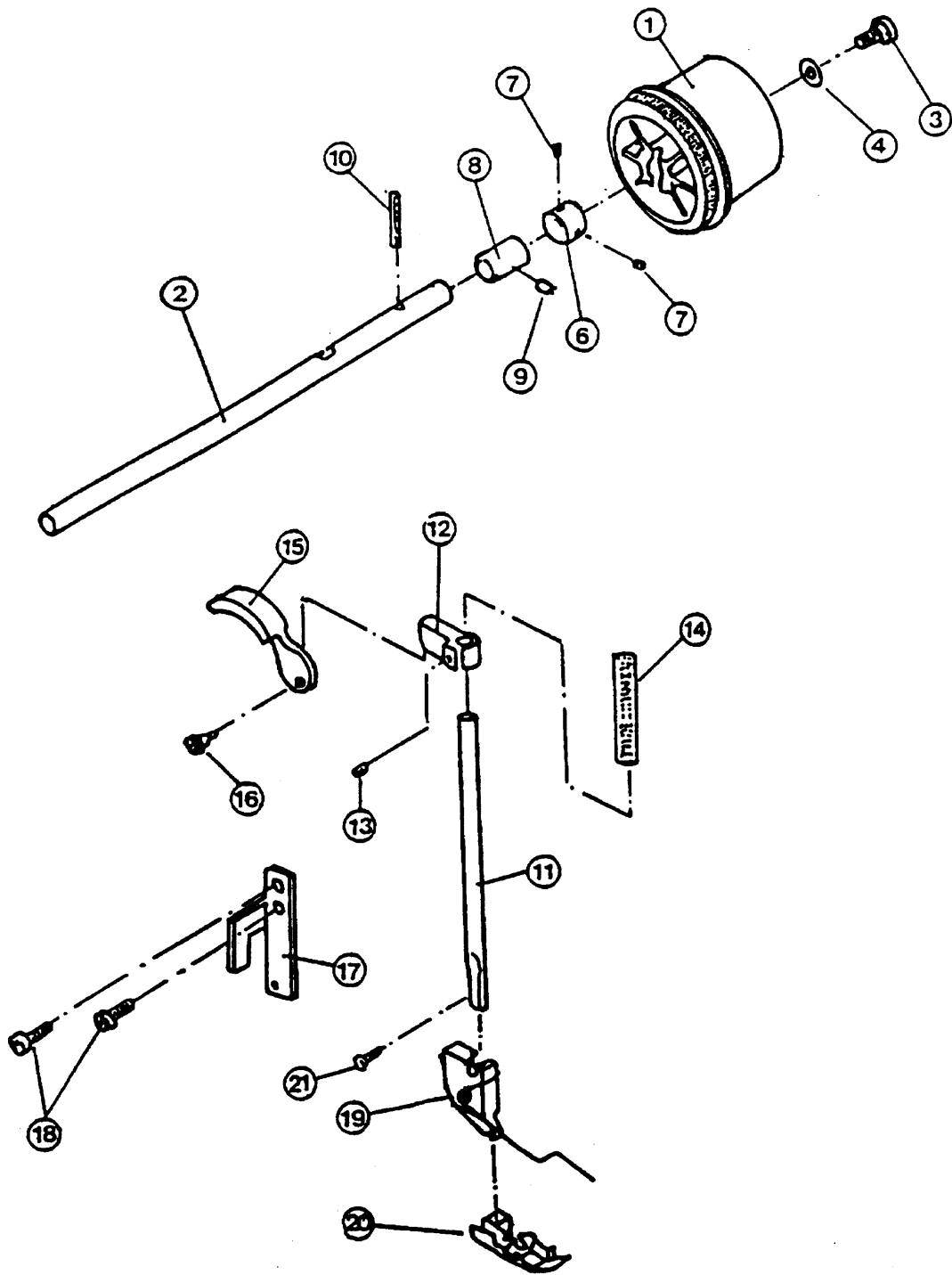
<u>POS</u>	<u>NUMBER</u>	<u>DENOMINATION</u>
2	415 61 11-01	Set screw
3	415 66 97-01	Shaft bushing
4	415 65 56-01	Screw
5	415 62 74-01	Nut
6a	415 66 61-01	Base - model 34 D
6b	415 69 04-01	Base - model 90
7	415 66 62-01	Cushion rubber
8	415 65 26-01	Washer
9	415 65 50-01	Screw M4 L1 6
10	415 68 95-01	Thread guide - Model 90
11	415 65 72-01	Set screw



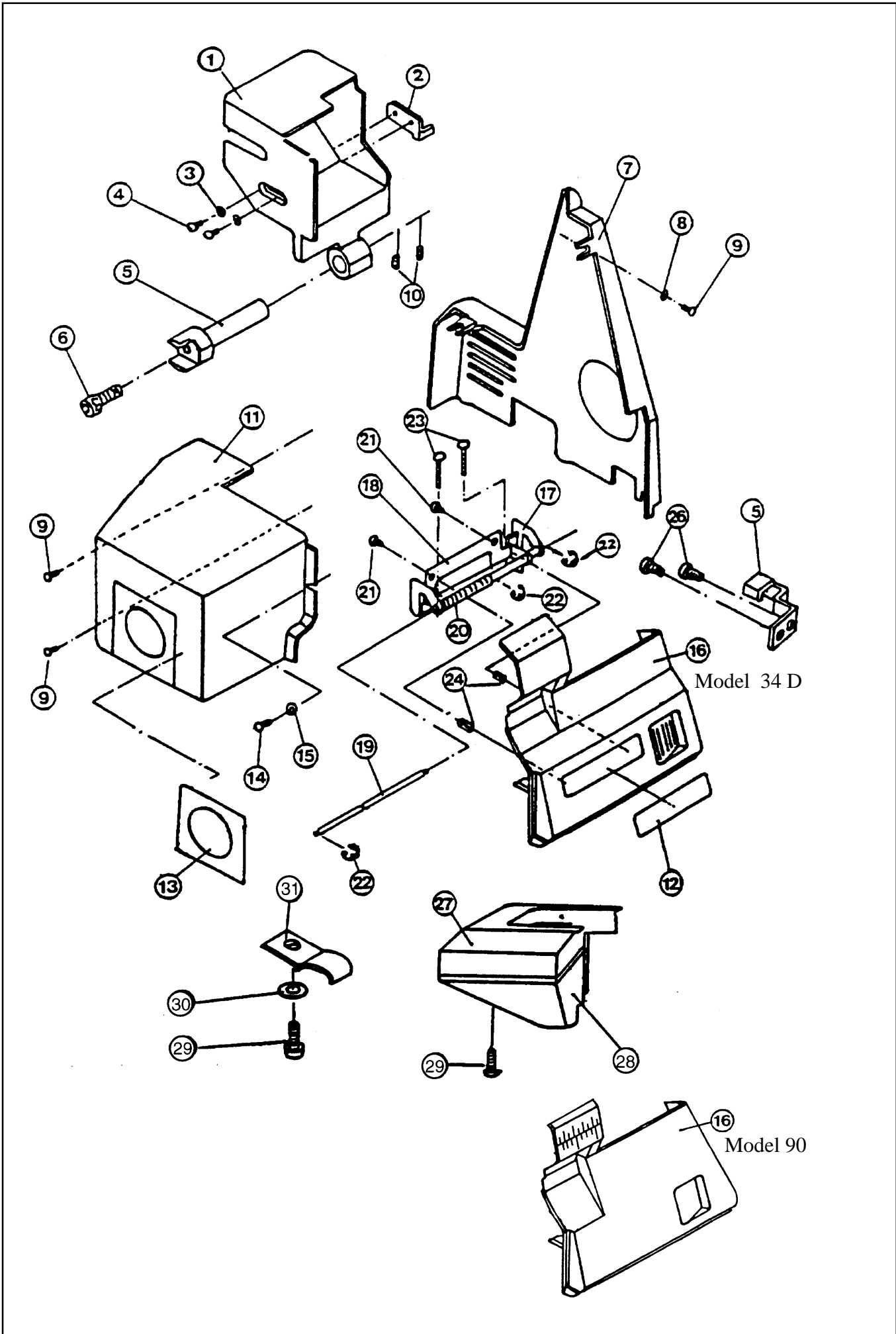
<u>POS</u>	<u>NUMBER</u>	<u>DENOMINATION</u>
1	415 66 73-01	Spool pin base
2a	415 66 72-01	Spool pin - Model 34 D
2b	415 68 96-01	Spool pin - Model 90
3	415 65 23-01	Screw
4	415 67 59-01	Thread guide bar
5a	415 66 60-01	Motor cover - model 34 D
5b	415 69 02-01	Motor cover - model 90
6	415 65 50-01	Screw M4 L16
7	415 65 26-01	Washer
8	415 65 60-01	Set screw 33



<u>POS</u>	<u>NUMBER</u>	<u>DENOMINATION</u>
1	415 65 84-01	Needle bar cam
2	415 60 04-01	Set screw
3	415 65 85-01	Connecting rod
4	415 65 86-01	Connecting ro support plate
5	415 65 83-01	Needle bar crank
6	415 65 55-01	Screw
7	415 65 56-01	Screw
8	415 65 81-01	Needle bar crank shaft
9	415 65 87-01	Pin
10	415 62 26-01	Snap ring 6d
11	415 60 81-01	Snap ring 5 d
12	415 65 82-01	Collar
13	415 60 06-01	Set screw
14	415 67 96-01	Needle bar
15	415 66 42-01	Needle clamp
16	411 31 04-01	Needle
17	415 65 54-01	Screw
18	415 66 41-01	Needle bar rod
19	415 66 37-01	Needle bar shaft bushing
20	415 65 56-01	Screw
21	415 66 38-01	Needle bar shaft bushing
22	415 66 40-01	Take up lever
23	415 65 47-01	Screw
24	415 65 40-01	Screw
25	415 66 39-01	Needle bar connecting rod
26	415 67 43-01	Stop plate
27	415 67 40-01	Spring plate
28	415 67 41-01	Spring
29	415 67 42-01	Screw
30	415 67 44-01	Lubrincant felt



<u>POS</u>	<u>NUMBER</u>	<u>DENOMINATION</u>
1a	415 65 77-01	Hand wheel - Model 34 D
1b	415 68 97-01	Hand wheel - Model 90
2	415 67 11-01	Main shaft
3	415 65 38-01	Screw
4	415 65 27-01	Washer
5	415 65 74-01	Main shaft collar
7	415 60 04-01	Set screw
8	415 65 75-01	Main shaft bushing
9	415 65 56-01	Screw
10	415 60 56-01	Spring pin 4x20
11	415 66 46-01	Pressure bar
12	415 66 45-01	Pressure bar rod
13	415 60 06-01	Set screw
14	415 66 44-01	Pressure bar spring
15	415 66 47-01	Pressure bar lifter
16	415 66 48-01	Screw
17	415 66 43-01	Pressure bar rod base
18	415 65 49-01	Screw
19	415 67 61-01	Presser foot holder
20	415 67 60-01	Presser foot
21	415 65 62-01	Set screw



<u>POS</u>	<u>NUMBER</u>	<u>DENOMINATION</u>
1	415 66 21-01	Free arm
2	415 66 22-01	Free arm plate
3	415 68 01-01	Washer 7
4	415 65 34-01	Screw
5	415 66 36-01	Free arm shaft
6	415 65 30-01	Screw
7a	415 67 24-01	Handwheel cover - Model 34 D
7b	415 68 98-01	Handwheel cover - Model 90
8	415 65 26-01	Washer
9	415 65 60-01	Set screw 33
10	415 65 55-01	Screw
11	415 67 25-01	Side cover
12	415 67 47-01	Logo plate
13	415 67 17-01	Side cover panel
14	415 65 47-01	Screw
15	415 65 25-01	Washer
16a	415 66 67-01	Lower cover - Model 34 D
16b	415 68 99-01	Lower cover - Model 90
17	415 66 63-01	Front cover hinge A
18	415 66 64-01	Front cover hinge B
19	415 66 65-01	Hing shaft
20	415 66 66-01	Spring
21	415 65 20-01	Set screw 2
22	415 65 15-01	2.5D E ring
23	415 65 37-01	Screw
24	415 62 74-01	Nut 4
25	415 66 68-01	Switch pressure plate
26	415 65 20-01	Set screw 2
27a	415 66 69-01	Extension table (UP) - Model 34 D
27b	415 69 00-01	Extension table (UP) - Model 90
28a	415 66 70-01	Extension table (LOW - Model 34 D
28b	415 69 01-01	Extension table (LOW) - Model 90
29	415 65 22-01	Screw
30	415 65 26-01	Washer
31	415 66 71-01	Extension table spring